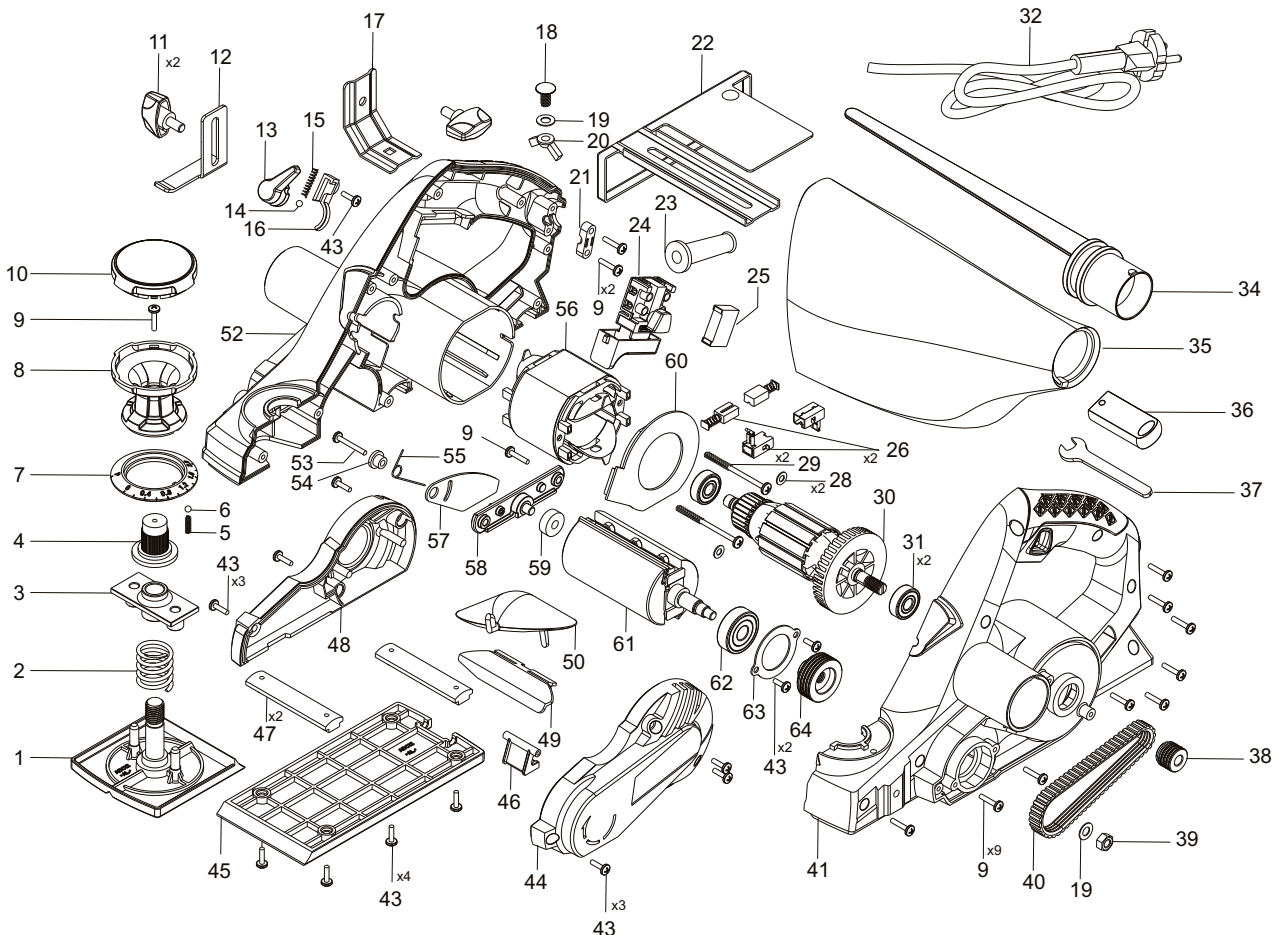


| POS. No. | Ref.No. | Description | POS. No. | Ref.No. | Description |
|-----------------------|---------|----------------------------------|-----------------------|---------|---------------------------------|
| 1 | 186959 | ADJUSTING BASE PLATE/ LM0042-017 | 32 | 181748 | Cable |
| 2 | 186958 | ADJUSTING SPRING/LM0038-053 | till 30.Jan.2013 - 33 | 186940 | VACUUM CLEANER ADAPTER |
| 3 | 181771 | Adjust bracket | 34 | 186939 | DUST EXTRACTION ADAPTER |
| 4 | 186957 | NUT BUSHING/LM039-012 | 35 | 186938 | Dust bag |
| 5 | 186956 | SPRING/LM0012-3 | 36 | 185648 | Wrench box |
| 6 | 185669 | Steel ball | 37 | 185647 | Spanner |
| 7 | 186955 | GRADUATION RING/LM0048-007 | 38 | 186936 | DRIVING WHEEL/LM0029-24 |
| 8 | 185661 | Adjusting knob | 39 | 186935 | NUT/GB M6/T41-2000 |
| 9 | 186954 | SCREW ST4x16 /GB845-85 | 40 | 186934 | BELT/LM0029-33 |
| 10 | 185660 | Knob Cover | 41 | 186933 | LEFT HOUSING/LM0048-1 |
| 11 | 186953 | Locking Knob | 43 | 186932 | SCREW ST4x12/GB845-85 |
| 12 | 186952 | DEPTH GAUGE/LM0042-022 | 44 | 186931 | BELT COVER//LM0048-003 |
| 13 | 186951 | DUST EXTRACTION KNOB/ LM0042-009 | 45 | 186930 | BASE PLATE/LM0042-016 |
| 14 | 186937 | STEEL BALL Φ4 | 46 | 185631 | Support |
| 15 | 186950 | SPRING/LM0029-30 | 47 | 185632 | Slat |
| 16 | 186949 | SPRING HOLDER/LM0029-11 | 48 | 186929 | MOTOR COVER/LM0048-004 |
| 17 | 186948 | FIXED FRAME/LM0015-F-3 | 49 | 186928 | VENTILATION DOOR/LM0048-008 |
| 18 | 186947 | BOLT M 6x12/GB12-88 | 50 | 186927 | DUST EXTRACTION ADJUSTING PLATE |
| 19 | 186946 | FLAT WASHER 6/GB93-85 | 52 | 186926 | RIGHT HOUSING/LM0048-002 |
| 20 | 186945 | Wing nut | 53 | 186925 | SCREW ST4x25/GB845-85 |
| 21 | 185620 | Cable Clamp | 54 | 185636 | Bushing |
| 22 | 181777 | Cutting Width Guide | 55 | 185638 | Spring |
| 23 | 185618 | Cable bushing | 56 | 186924 | STATOR/LM0048-014 |
| 24 | 186944 | SWITCH/LM0048-010 | 57 | 186796 | Baffle |
| 25 | 181781 | Capacitance | 58 | 185639 | Support |
| till 11.Jan.2013 - 26 | 181751 | Brush Holder | 59 | 185658 | Bearing |
| 26 | 185690 | Brush Holder +Brush | 60 | 186923 | AIR DEFLECTION/LM0029-16 |
| 28 | 186943 | FLAT WASHER 4/GB93-85 | 61 | 186922 | CUTTER BODY/LM0042-018 |
| 29 | 186942 | SCREW ST4x55/GB845-85 | 62 | 185678 | Bearing |
| 30 | 186941 | ROTATOR/LM0048-015 | 63 | 185654 | Big plate |
| 31 | 185634 | Bearing | 64 | 186921 | PASSIVE WHEEL/LM0029-25 |



186918

186917